

Plot Date: 3/11/2019 9:31:25 AM psp-light.dwg Aaron Heydinger



**PROPOSED PHOTOMETRIC PLAN**  
SCALE: 1" = 80'

Job:  
Type:  
Notes:

Featuring CosmoPols and MasterColor Elite Electronic HID Systems

Page 1 of 3

Gullwing  
18 Area Luminaires

The Philips Gardco Gullwing is an area luminaire defined by its sleek profile and rugged construction. The housing is one-piece, die cast aluminum and mounts directly to a pole or wall without the need of a separate support arm. The multifaceted arc-image duplicating optical systems provide IES Types I, II, III, IV and V distributions. The door frame is single-piece diecast aluminum and retains an optically clear tempered flat glass lens. The luminaire is completely sealed and gasketed preventing intrusion from moisture, dust and insects. Gullwing luminaires are finished with a fade and abrasion resistant TGIC powdercoat. Flat glass lens luminaires provide full cutoff performance. Sag Lens luminaires provide cutoff performance.

PREFIX	MOUNTING	DISTRIBUTION	WATTAGE	VOLTAGE	FINISH	OPTIONS
G18	18" Gullwing Luminaire	1 2 2@90 3 3@120 4 W WS	1 Single Pole Mount 2 Twin Pole Mount at 180° 2@90 Twin Pole Mount at 90° 3 3-way Pole Mount at 90° 3@120 3-way Pole Mount at 120° 4 4-way Pole Mount W Wall Mount, Recessed J-Box WS Wall Mount, Surface Conduit	1' 2XL 3XL 4XL BL C AF	Type I, Horizontal Lamp Type II, Horizontal Lamp Type III, Horizontal Lamp Type IV, Horizontal Lamp Backlight Control Type V, Horizontal Lamp Concentrated Optic for Automotive Front Row Applications	

PREFIX	MOUNTING	DISTRIBUTION	WATTAGE	VOLTAGE
G18	18" Gullwing Luminaire	1' 2XL 3XL 4XL BL C AF	100PMH 150PMH 175PSMH CosmoPols Electronic System MasterColor Elite Electronic System Pulse Start MH Electronic Ballast High Pressure Sodium Magnetic Ballast Low Pressure Sodium Magnetic Ballast	120 240 208 277 480 200-277 CMPE, MCE and PSE types only.

PHILIPS  
GARDCO

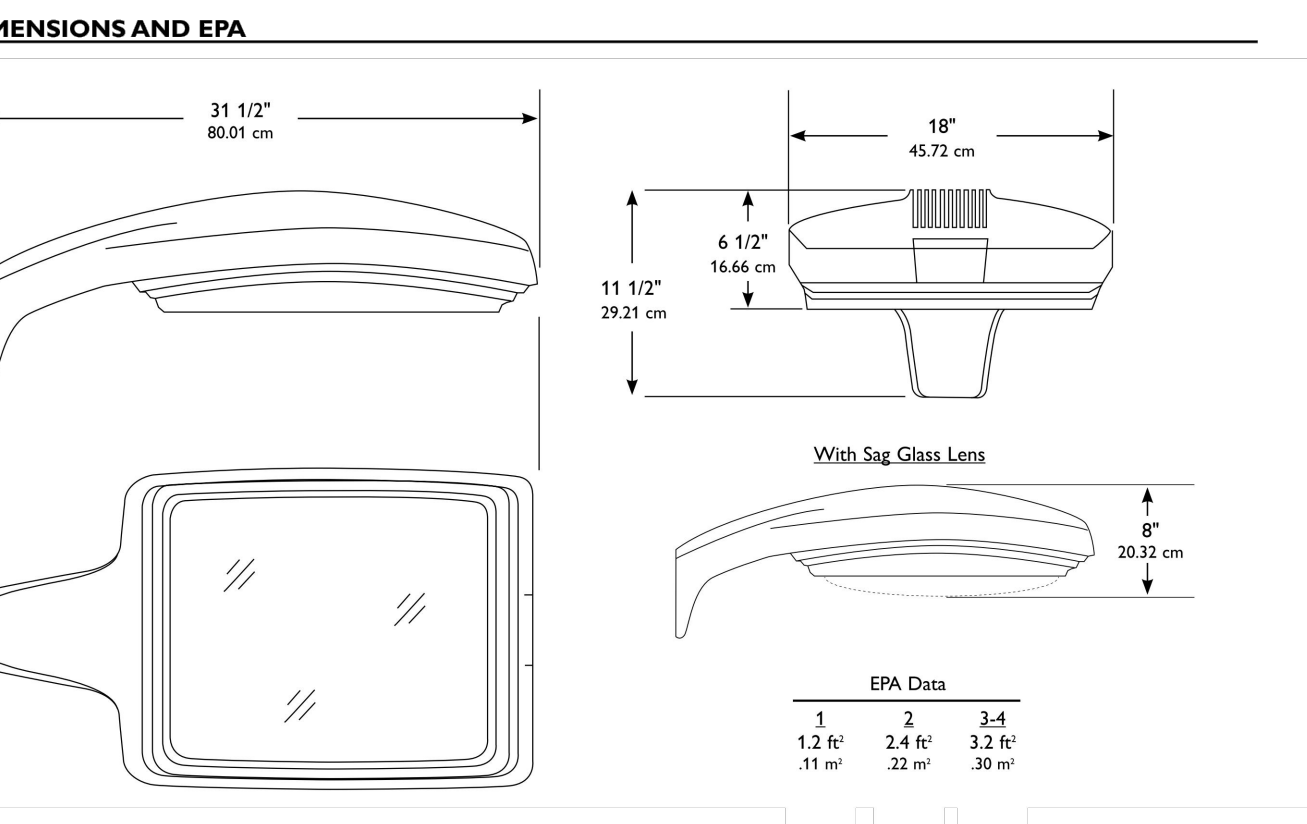
Featuring CosmoPols and MasterColor Elite Electronic HID Systems

Page 2 of 3

Gullwing  
18 Area Luminaires

FINISH	OPTIONS
BRP Bronze Paint BLP Black Paint WP White Paint NP Natural Aluminum Paint OC Optional Color Paint SC Special Paint	F <sup>11</sup> Fusing In Head LF In-Line/In-Pole Fusing PC <sup>12</sup> Photocontrol and Receptacle PCR Photocontrol Receptacle only POL <sup>13</sup> Polycarbonate Sag Lens SG <sup>14</sup> Sag Glass Lens HS Internal Houseless Shield QST Quartz Standby QST Quartz Standby - Timed Delay Q24 <sup>15</sup> Quartz Emergency Q24 <sup>16</sup> Quartz Emergency - Timed Delay RPA1 <sup>17</sup> 3" Round Pole Adapter RPA2 <sup>18</sup> 4" and 5" Round Pole Adapter MA <sup>19</sup> Mast Arm Fitter

HID Lamp Watts	Maximum Quartz Lamp Watts
175 watts or less	100 Watts
Above 175 watts up to 400 watts	150 Watts



The McKnight Group  
Leaders in Innovative Church Design and Building

McKnight & Hosterman Architects, Inc.  
3351 McDowell Road  
P.O. Box 370  
Grove City, Ohio 43123

Phone: (614) 875-1655  
Fax: (614) 875-7006  
www.mcknightgroup.com

GHD  
GANDEE HEYDINGER GROUP  
CIVIL ENGINEERS & SURVEYORS

Gandee Heydinger Group  
642 Brookedge Blvd.  
Westerville, OH 43081

Phone: (614) 942-8042  
Fax: (614) 942-8041  
www.ghdgcivl.com

Architect is not responsible for any dimensions scaled from drawings. Dimensions noted take precedence.

Genoa

GENOIA CHURCH  
Project Address:  
7562 Lewis Center Rd., Westerville, OH 43082

DRAWING	DATE
<input type="checkbox"/> Preliminary Check Set	17 JAN 19
<input checked="" type="checkbox"/> Preliminary Check Set	11 MAR 19
<input type="checkbox"/> Preliminary Check Set	09 APR 19
<input type="checkbox"/> Permit Set	15 MAY 19
<input type="checkbox"/> Bid Set	22 MAY 19

REVISIONS

OF .. SHEETS

218328